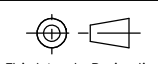

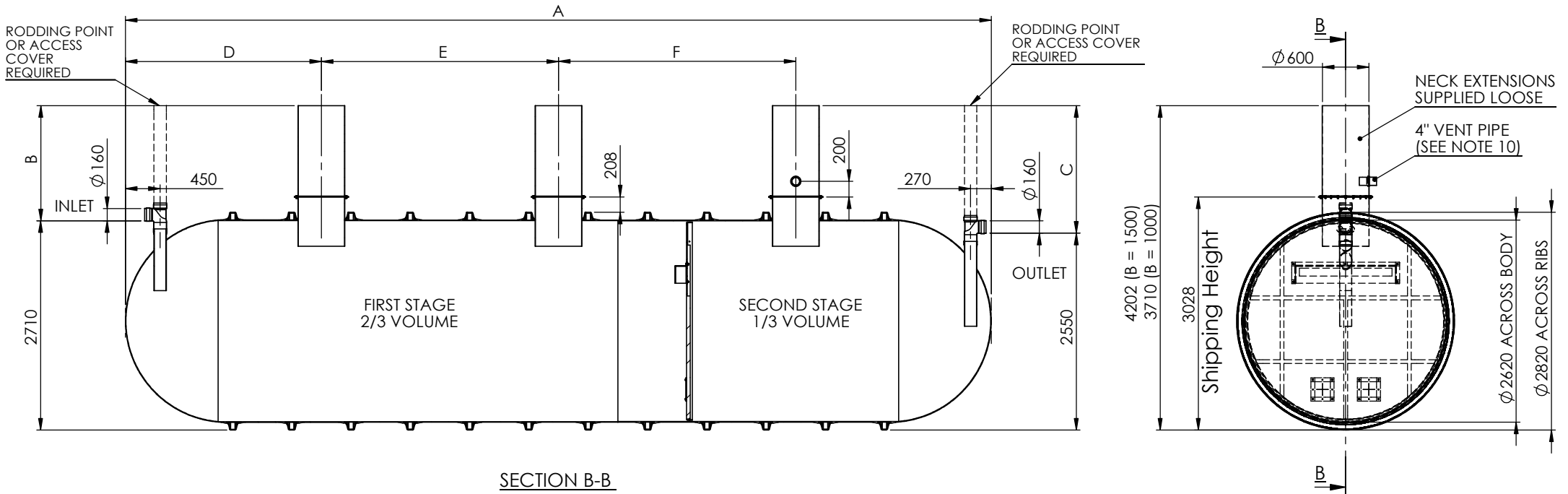


Nominal Volume (Litres)	Nominal Volume (Gallons)	Weight (Kg)	Overall Length A	Inlet Invert B = 1.5 Metres	Inlet Invert B = 1.0 Metres	Outlet Invert C	Dimension to first neck D	Dimension Between Necks E
18,000	3,960	807	4,317	1,500	1,000	B + 160	906	2,511
22,000	4,889	987	5,073	1,500	1,000	B + 160	1,770	2,397
26,000	5,720	1,136	5,837	1,500	1,000	B + 160	1,770	2,296
34,000	7,480	1,457	7,376	1,500	1,000	B + 160	1,772	3,833
38,000	8,360	1,626	8,150	1,500	1,000	B + 160	1,772	4,606
46,000	10,120	2,030	9,684	1,500	1,000	B + 160	2,536	4,612

NOTES:-

- SEPTIC TANKS MUST DISCHARGE INTO A DRAINAGE FIELD.
- STANDARD **MINIMUM** INLET/ OUTLET PIPES ARE Ø160 PVCu UNDERGROUND DRAINAGE.
- THIS DRAWING IS PROVIDED TO SUPPLY DIMENSIONAL INFORMATION ONLY.
- THE UNIT MUST BE INSTALLED WITH A CONCRETE SURROUND. PLEASE SEE THE DETAILED INSTALLATION PROCEDURE, SUPPLIED WITH EACH UNIT
- THE UNIT IS SUPPLIED WITH LOOSE, BOLT ON TANK SHAFT TO SUIT EITHER A 1 OR 1.5 METER INVERT (SPECIFY WITH ORDER). THEY MUST BE FITTED ON SITE AS PART OF THE INSTALLATION AND CAN BE TRIMMED TO SUIT EXACT SIZE OF INVERT.
- PEDESTRIAN DUTY COVER AND FRAMES, TO FIT 600mm DIAMETER NECKS, ARE AVAILABLE FOR PURCHASE.
- THE WEIGHTS GIVEN ARE FOR HANDLING PURPOSES ONLY AND EXCLUDE BOLT ON SHAFTS.
- THE INLET AND OUTLET PIPE SHOULD BE EXTENDED TO GROUND LEVEL. DIAMETER 450mm ACCESS COVERS ARE AVAILABLE FOR PURCHASE, TO ALLOW FOR RODDING ACCESS.
- TANKS OF 54,000 LITRES OR LARGER, REQUIRE THREE NECKS TO AID DESLUDGING.
- THE TANK MUST BE FITTED WITH A VENT, PREFERABLY IN THE LAST ACCESS SHAFT TO ENABLE LOCALISED, HIGH LEVEL VENTING.
- THIS UNIT CAN BE USED AS A SEPTIC TANK, PRIMARY SETTLEMENT TANK OR FINAL SETTLEMENT TANK.

Please Check with Environmental Treatment Systems Limited For The Latest Issue Of This Drawing				Material : Various	Tolerance (unless stated) :	Drawing : DS0962P - Ø2.6 ST	Page 1 of 2
Issue	Date	Drawn by	Approved by	Finish :	Thickness : n/a		
003	30/03/16	L.Steward		Description CC1303		Surface Area : m²	TWIN NECK SETTLEMENT TANK
002	27.02.09	M.H.		22m³ AND 59m³ TANKS ADDED			
All Dimensions In mm				Scale: Do Not Scale	 Third Angle Projection		Kingspan Environmental reserve the right to alter the details of this drawing without prior notice. This drawing is copyright and may not be reproduced or used without the written permission of Kingspan Environmental
T:\Drawing Data\02 - Sales Drawings\DS\DS - 09\DS0962P - Ø2.6 ST							



SECTION B-B

Nominal Volume (Litres)	Nominal Volume (Gallons)	Weight (Kg)	Overall Length A	Inlet Invert B = 1.5 Metres	Inlet Invert B = 1.0 Metres	Outlet Invert C	Dimension to first neck D	Dimension between necks E	Dimension between necks F
54,000	11,880	2,371	11,222	1,500	1,000	B + 160	2,538	3,073	3,075
59,000	12,068	2,460	11,991	1,500	1,000	B + 160	2,538	3,073	3,842
63,000	13,860	2,700	12,760	1,500	1,000	B + 160	2,538	3,073	4,611
71,000	15,620	3,141	14,295	1,500	1,000	B + 160	2,538	4,610	4,610
79,000	17,380	3,620	15,833	1,500	1,000	B + 160	2,538	5,379	5,379

NOTES:-

- SEPTIC TANKS MUST DISCHARGE INTO A DRAINAGE FIELD. STANDARD **MINIMUM** INLET/ OUTLET PIPES ARE Ø160 PVCu UNDERGROUND DRAINAGE.
- THIS DRAWING IS PROVIDED TO SUPPLY DIMENSIONAL INFORMATION ONLY.
- THE UNIT MUST BE INSTALLED WITH A CONCRETE SURROUND. PLEASE SEE THE DETAILED INSTALLATION PROCEDURE, SUPPLIED WITH EACH UNIT.
- THE UNIT IS SUPPLIED WITH LOOSE, BOLT ON TANK SHAFTS TO SUIT EITHER A 1 OR 1.5 METER INVERT (SPECIFY WITH ORDER). THEY MUST BE FITTED ON SITE AS PART OF THE INSTALLATION AND CAN BE TRIMMD TO SUIT EXACT SIZE OF INVERT.
- UNITS SHOULD NOT BE INSTALLED DEEPER THAN NECESSARY, NOR DEEPER THAN THE INVERT SPECIFIED FOR THE UNIT SUPPLIED. GROUND IS SELDOM SUITABLE AT GREAT DEPTH FOR INFILTRATION.
- PEDESTRIAN DUTY COVER AND FRAMES, TO FIT 600mm DIAMETER NECKS, ARE AVAILABLE FOR PURCHASE.
- THE WEIGHTS GIVEN ARE FOR HANDLING PURPOSES ONLY AND EXCLUDE BOLT ON SHAFTS.
- THE INLET AND OUTLET PIPE SHOULD BE EXTENDED TO GROUND LEVEL. DIAMETER 450mm ACCESS COVERS ARE AVAILABLE FOR PURCHASE, TO ALLOW FOR RODDING ACCESS.
- TANKS OF 54,000 LITRES OR LARGER, REQUIRE THREE NECKS TO AID DESLUDGING.
- THE TANK MUST BE FITTED WITH A VENT, PREFERABLY IN THE LAST ACCESS SHAFT TO ENABLE LOCALISED, HIGH LEVEL VENTING.
- THIS UNIT CAN BE USED AS A SEPTIC TANK, PRIMARY SETTLEMENT TANK OR FINAL SETTLEMENT TANK.

Material : Various	Tolerance (unless stated) :	Drawing : DS0962P - Ø2.6 ST	Page 2 of 2
Finish :	Thickness : n/a		
	Surface Area :		
		TRIPLE NECK SETTLEMENT TANK	

All dimensions in mm

Scale: Not to scale

Kingspan Environmental reserve the right to alter the details of this drawing without prior notice. This drawing is copyright and may not be reproduced or used without the written permission of Kingspan Environmental

