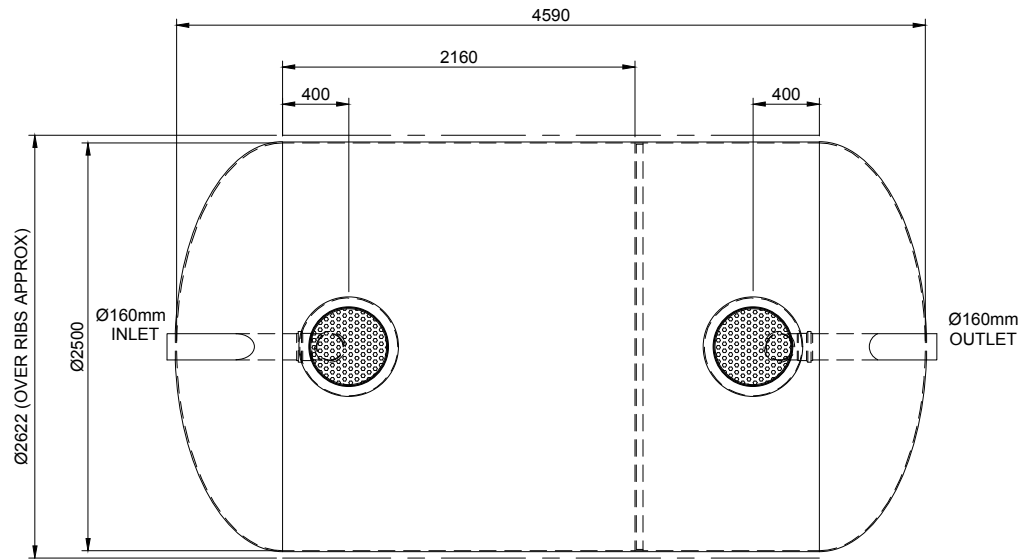
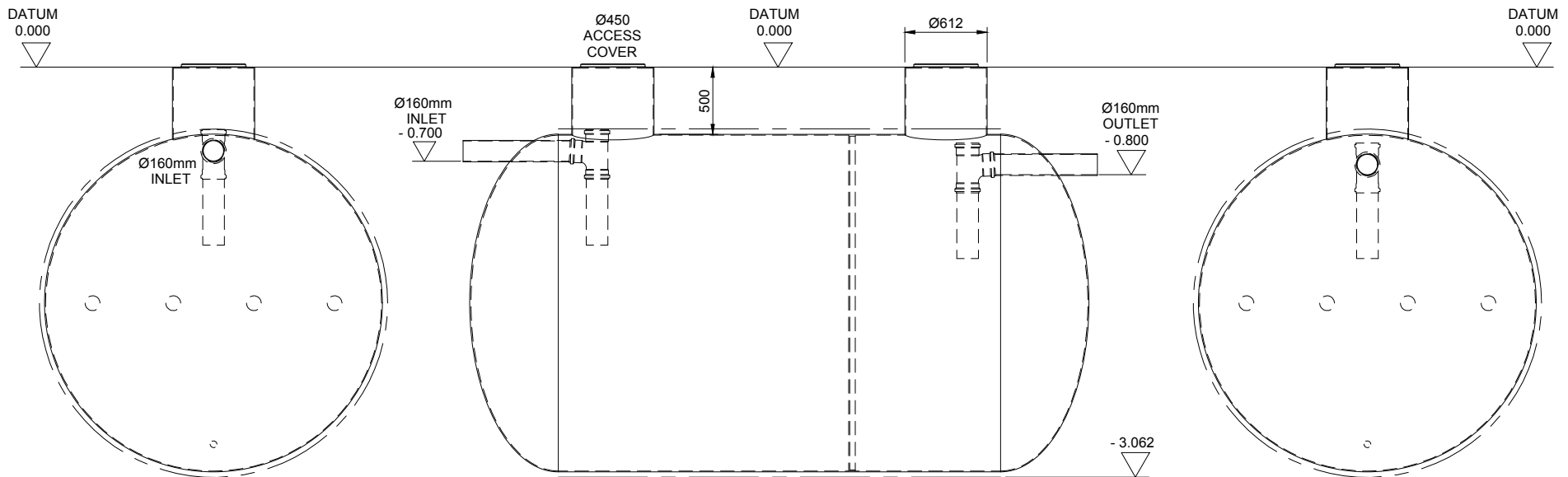


GENERAL NOTE:

All tanks are subject to a 2.5% tolerance on all dimensions.
Any internals (if shown) are for guidance only, and may vary in design / individual specifications. Rib centres may vary during manufacture.



PLAN



VIEW ON INLET

SIDE ELEVATION

VIEW ON OUTLET

REV	DESCRIPTION	DATE	SIG	REV	DESCRIPTION	DATE	SIG
A	For Approval	18.06.17	P.L.				

ORIG.	CHKD.	APPD.

SCALE	DATE
N.T.S.	18.06.2017

3 RD ANGLE PROJECTION	DO NOT SCALE IF IN DOUBT ASK

CLIENT	TITLE
	MARSH HORIZONTAL SEPTIC TANK. (20,000 ltr CAPACITY) Ø2.5m x 4.59m LONG TANK.

DRG.	REV
SEPC 20000	A

THIS DRAWING IS THE PROPERTY OF MARSH INDUSTRIES LTD. AND MUST NOT BE REPRODUCED OR CIRCULATED FOR ANY PURPOSE WHATSOEVER WITHOUT FIRST OBTAINING WRITTEN CONSENT FROM THE MARSH INDUSTRIES LTD.



MARSH INDUSTRIES LTD.
UNITS 9-13 ADDINGTON PARK IND. EST., LITTLE ADDINGTON, KETTERING, NORTHAMPTONSHIRE, NN14 4AS.