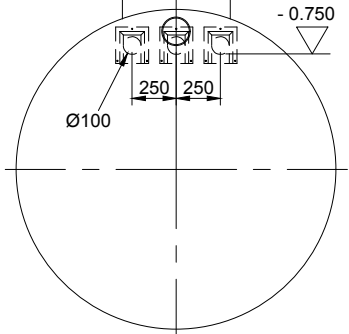
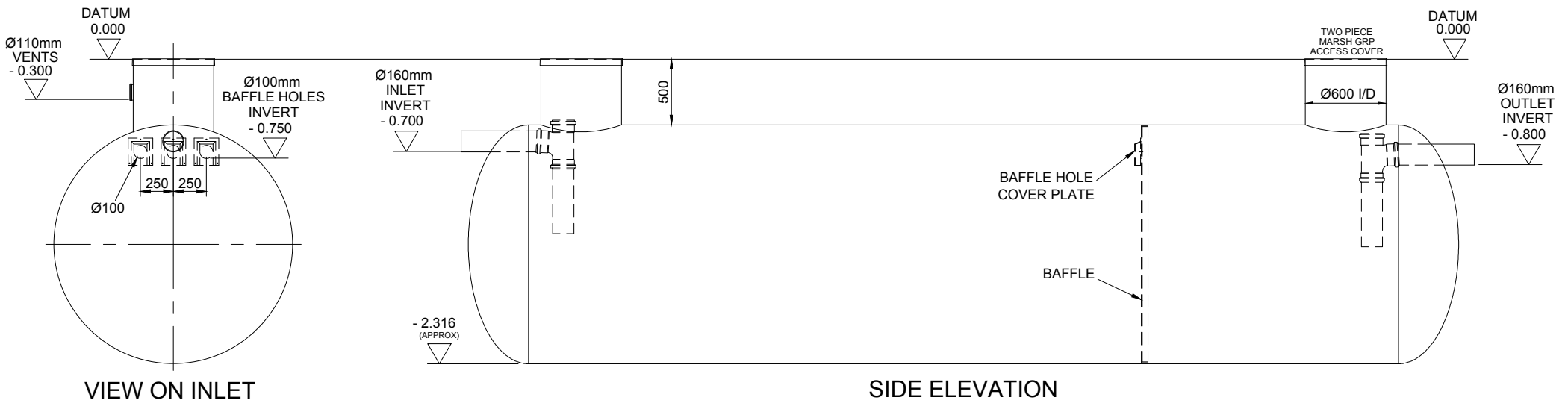
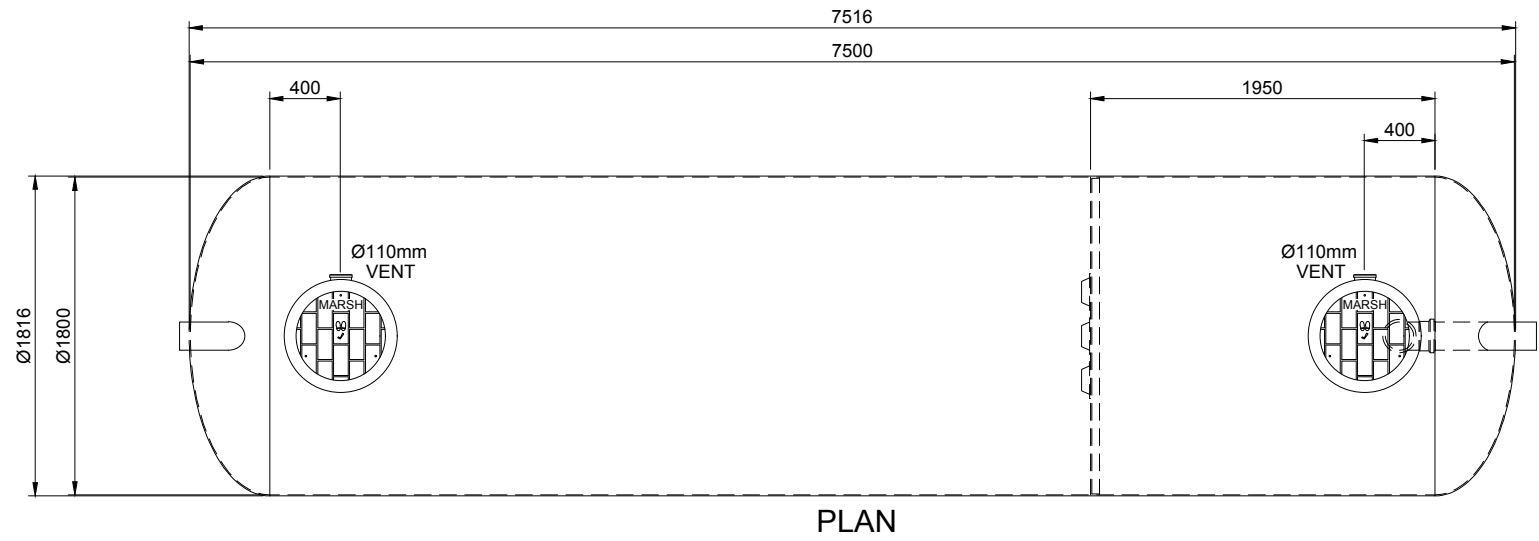



GENERAL NOTE:
 All tanks are subject to a 2.5%
 tolerance on all dimensions.
 Any internals (if shown) are for
 guidance only, and may vary due
 to individual specifications.



REV	DESCRIPTION	DATE	SIG	REV	DESCRIPTION	DATE	SIG
A	For Approval	25.03.21	K.B.				
B	TWO PIECE MARSH GRP ACCESS COVERS NOW SHOWN.	13.01.22	K.H.				

THIS DRAWING IS THE PROPERTY OF MARSH INDUSTRIES LTD. AND MUST NOT BE REPRODUCED OR CIRCULATED FOR ANY PURPOSE WHATSOEVER WITHOUT FIRST OBTAINING WRITTEN CONSENT FROM THE MARSH INDUSTRIES LTD.		CLIENT
ORIG.	CHKD	APPD
SCALE	DATE	
N.T.S.	25.03.2021	
3 RD ANGLE PROJECTION	DO NOT SCALE IF IN DOUBT ASK	

TITLE	MARSH HORIZONTAL SEPTIC TANK. (EIGHTY EIGHT PERSON) (18000 LITRE CAPACITY)	 MARSH INDUSTRIES LTD. <small>UNITS 9-13 ADDINGTON PARK RD, EST., LITTLE ADDINGTON, KETTERING, NORTHAMPTONSHIRE, NN14 4AS.</small>
DRG.	SEPC 18000	REV B