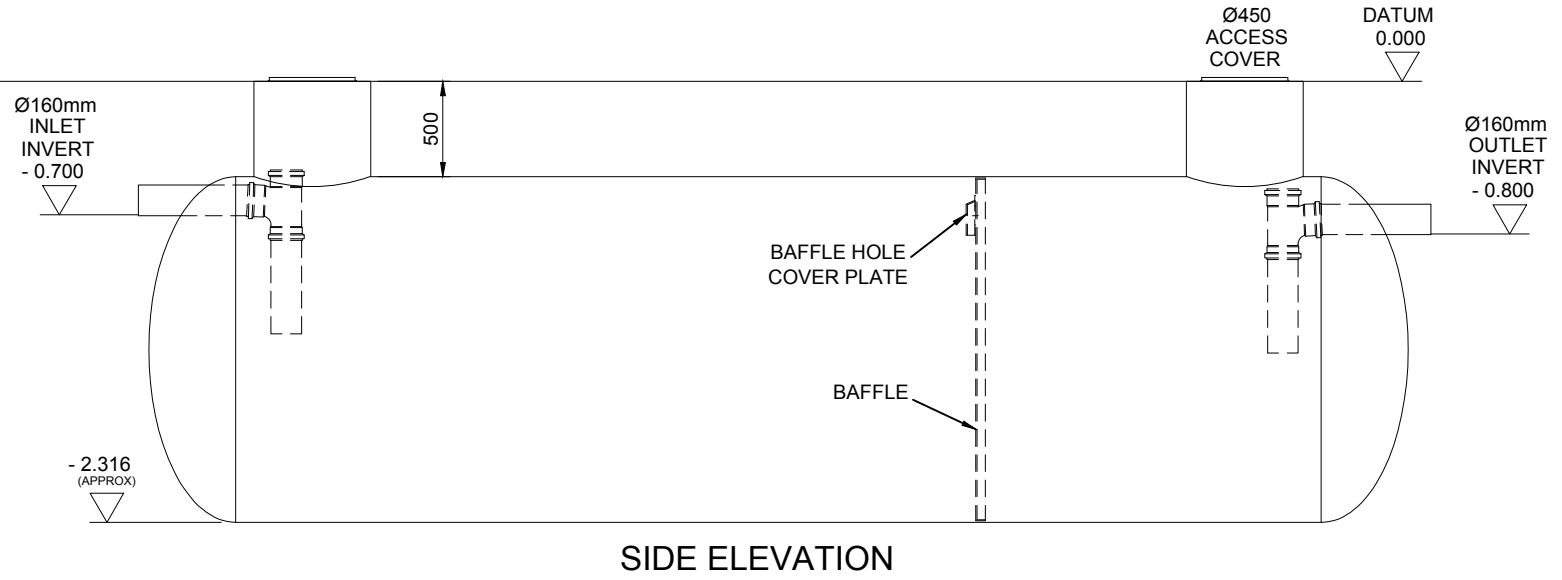
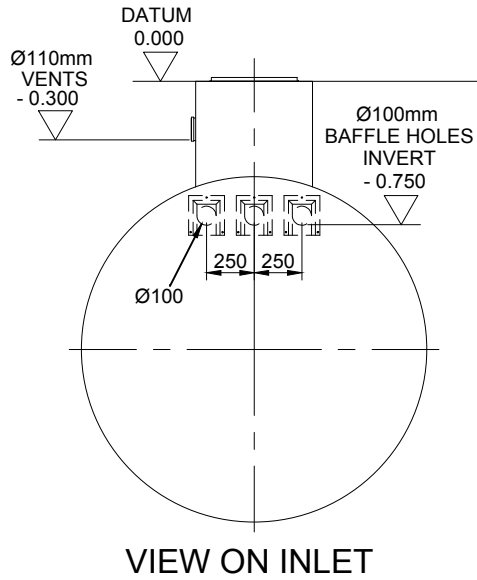
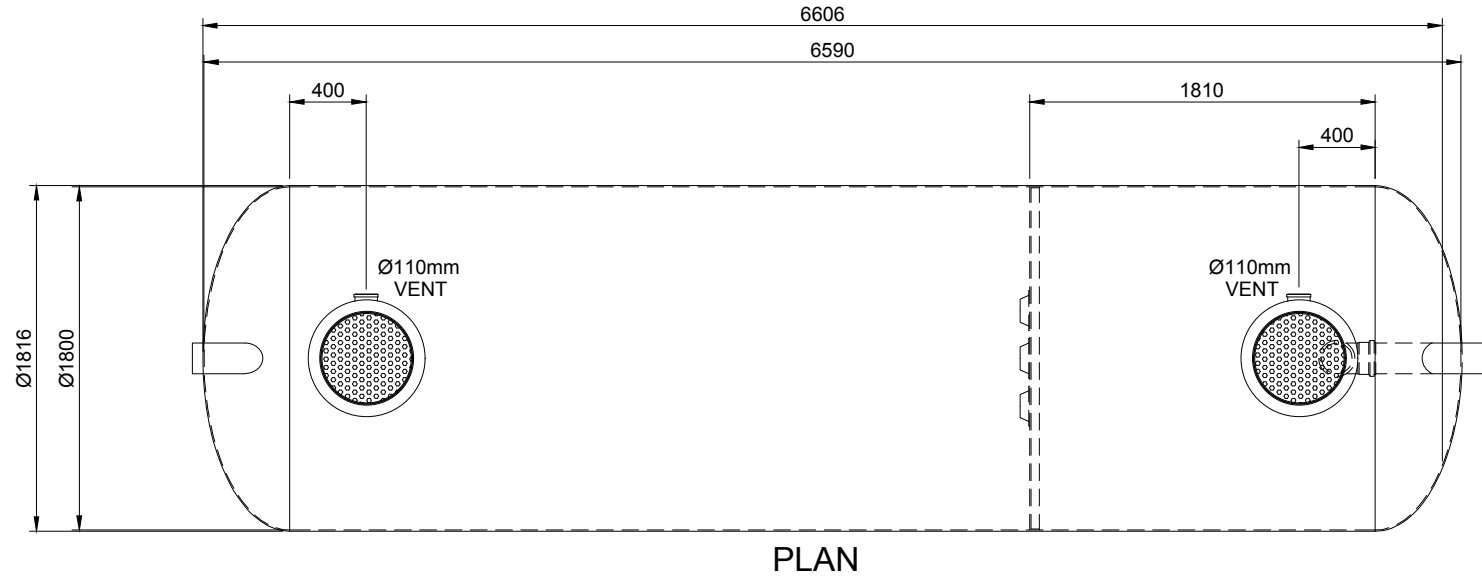



GENERAL NOTE:

All tanks are subject to a 2.5% tolerance on all dimensions.
Any internals (if shown) are for guidance only, and may vary due to individual specifications.



REV	DESCRIPTION	DATE	SIG	REV	DESCRIPTION	DATE	SIG	REV	DESCRIPTION	DATE	SIG	THIS DRAWING IS THE PROPERTY OF MARSH INDUSTRIES LTD. AND MUST NOT BE REPRODUCED OR CIRCULATED FOR ANY PURPOSE WHATSOEVER WITHOUT FIRST OBTAINING WRITTEN CONSENT FROM THE MARSH INDUSTRIES LTD.	CLIENT	TITLE	 MARSH INDUSTRIES LTD. <small>UNITS 9-13 ADDINGTON PARK IND. EST., LITTLE ADDINGTON, KETTERING, NORTHAMPTONSHIRE, NN14 4AS.</small>	DRG: SEPC 16000 REV: A											
A	For Approval	19.05.21	K.A.																								
												<table border="1"> <tr> <td>ORIG.</td> <td>CHKD</td> <td>APPD</td> </tr> <tr> <td></td> <td></td> <td></td> </tr> <tr> <td>SCALE</td> <td colspan="2">DATE</td> </tr> <tr> <td>N.T.S.</td> <td colspan="2">19.05.2021</td> </tr> </table>	ORIG.	CHKD	APPD				SCALE	DATE		N.T.S.	19.05.2021			MARSH HORIZONTAL SEPTIC TANK. (SEVENTY SEVEN PERSON) (16000 LITRE CAPACITY)	
ORIG.	CHKD	APPD																									
SCALE	DATE																										
N.T.S.	19.05.2021																										
												3 RD ANGLE PROJECTION DO NOT SCALE IF IN DOUBT ASK															