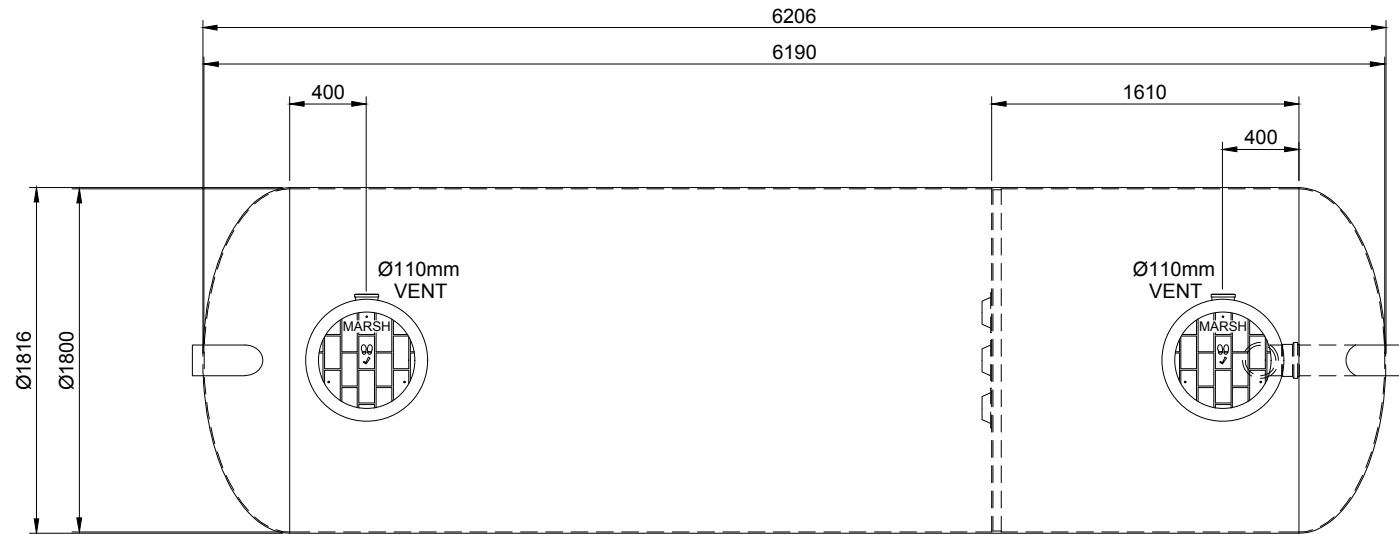
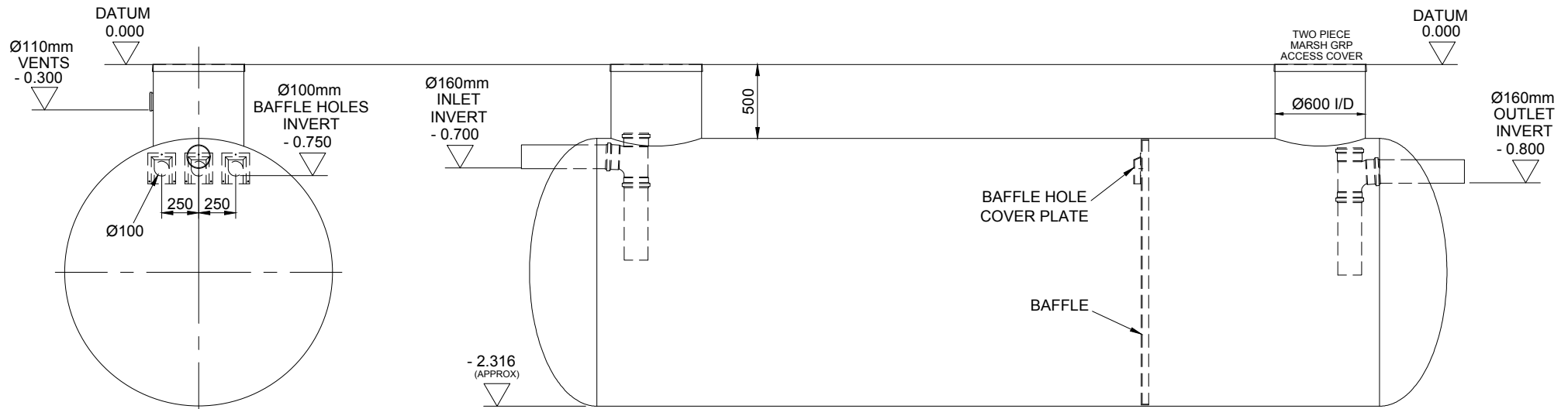


**GENERAL NOTE:**

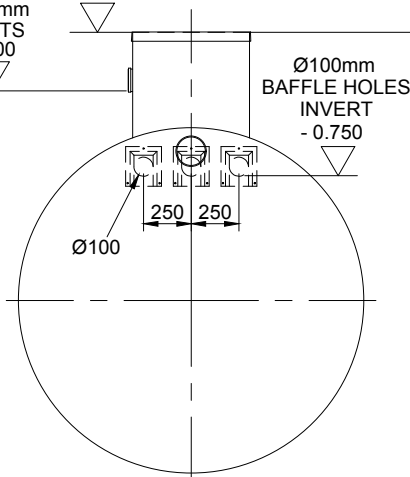
All tanks are subject to a 2.5% tolerance on all dimensions.  
Any internals (if shown) are for guidance only, and may vary due to individual specifications.



**PLAN**



**SIDE ELEVATION**



**VIEW ON INLET**

REV	DESCRIPTION	DATE	SIG	REV	DESCRIPTION	DATE	SIG
A	For Approval	19.05.21	K.B.				
B	TWO PIECE MARSH GRP ACCESS COVERS NOW SHOWN.	13.01.22	K.H.				

THIS DRAWING IS THE PROPERTY OF MARSH INDUSTRIES LTD. AND MUST NOT BE REPRODUCED OR CIRCULATED FOR ANY PURPOSE WHATSOEVER WITHOUT FIRST OBTAINING WRITTEN CONSENT FROM THE MARSH INDUSTRIES LTD.		CLIENT
ORIG.	CHKD.	APPD.
SCALE	DATE	
N.T.S.	19.05.2021	
3 RD ANGLE PROJECTION	DO NOT SCALE IF IN DOUBT ASK	

TITLE	MARSH INDUSTRIES LTD.
MARSH HORIZONTAL SEPTIC TANK. (SEVENTY TWO PERSON) (15000 LITRE CAPACITY)	UNITS 9-13 ADDINGTON PARK IND. EST., LITTLE ADDINGTON, KETTERING, NORTHAMPTONSHIRE, NN14 4AS.
SEPC 15000	REV B